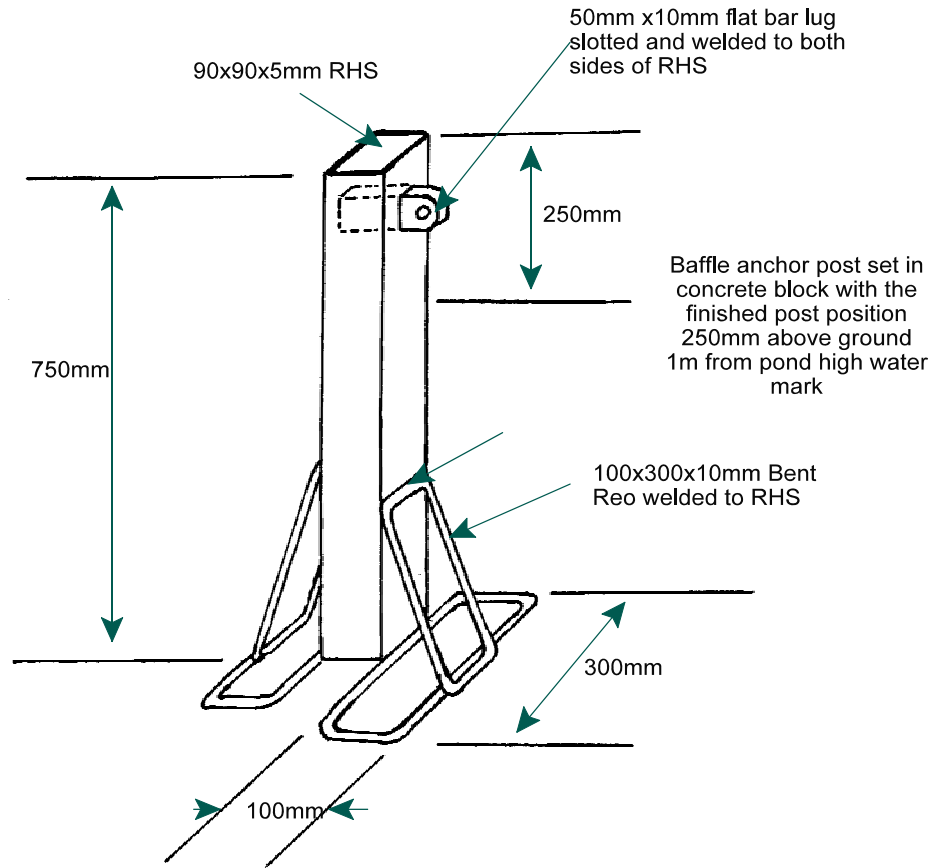


- Notes:
 1. Assembly double dipped galvanised
 2. Excavation for pond shore mooring centre 1m from pond high water mark 500 x 500 x 650 deep.
 3. Mooring post to be filled with concrete once in position.
 4. Face of concrete contoured to pond bank.



THE AUSTRALIAN BOOM AND BAFFLE COMPANY

General Arrangement: Baffle System Shore Mooring Posts

Drawing Number: 61-D005-024a

Drawn by: Chris C. Alsop

Drawn Date: 13 November, 2004

Approved by:

Date:

This drawing is not to scale